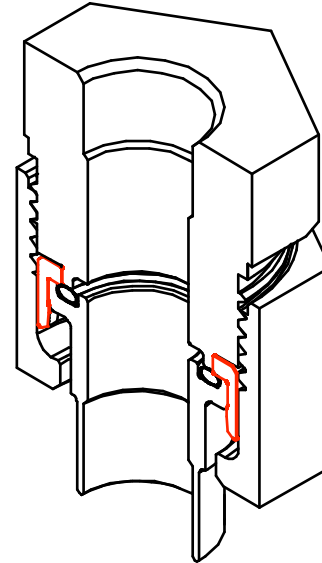
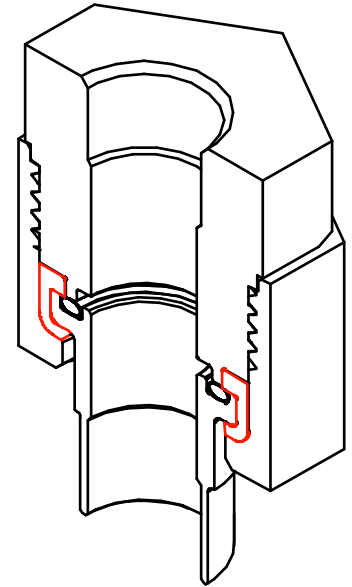


SILVER Solder Copper tubes to Compressor's copper discharge line (Larger tube on Condenser) and Filter Dryer line (Smaller tube on condenser) using 1/2" Copper Coupler & Staybrite #8 solder or equivalent.. DO NOT USE TIN OR PLUMBING SOLDER

Isolation Fitting Assembly Shown WITHOUT TUBES for Clarity:



BEFORE Tightening
TEFLON RING (RED)
NOT FULLY SET



AFTER Tightening
NUT BOTTOMED OUT &
TEFLON RING (RED) FULLY SET

NOTE: AFTER ASSEMBLY THERE SHOULD BE NO ELECTRICAL CONTINUITY BETWEEN THE COPPER AND TITANIUM TUBES